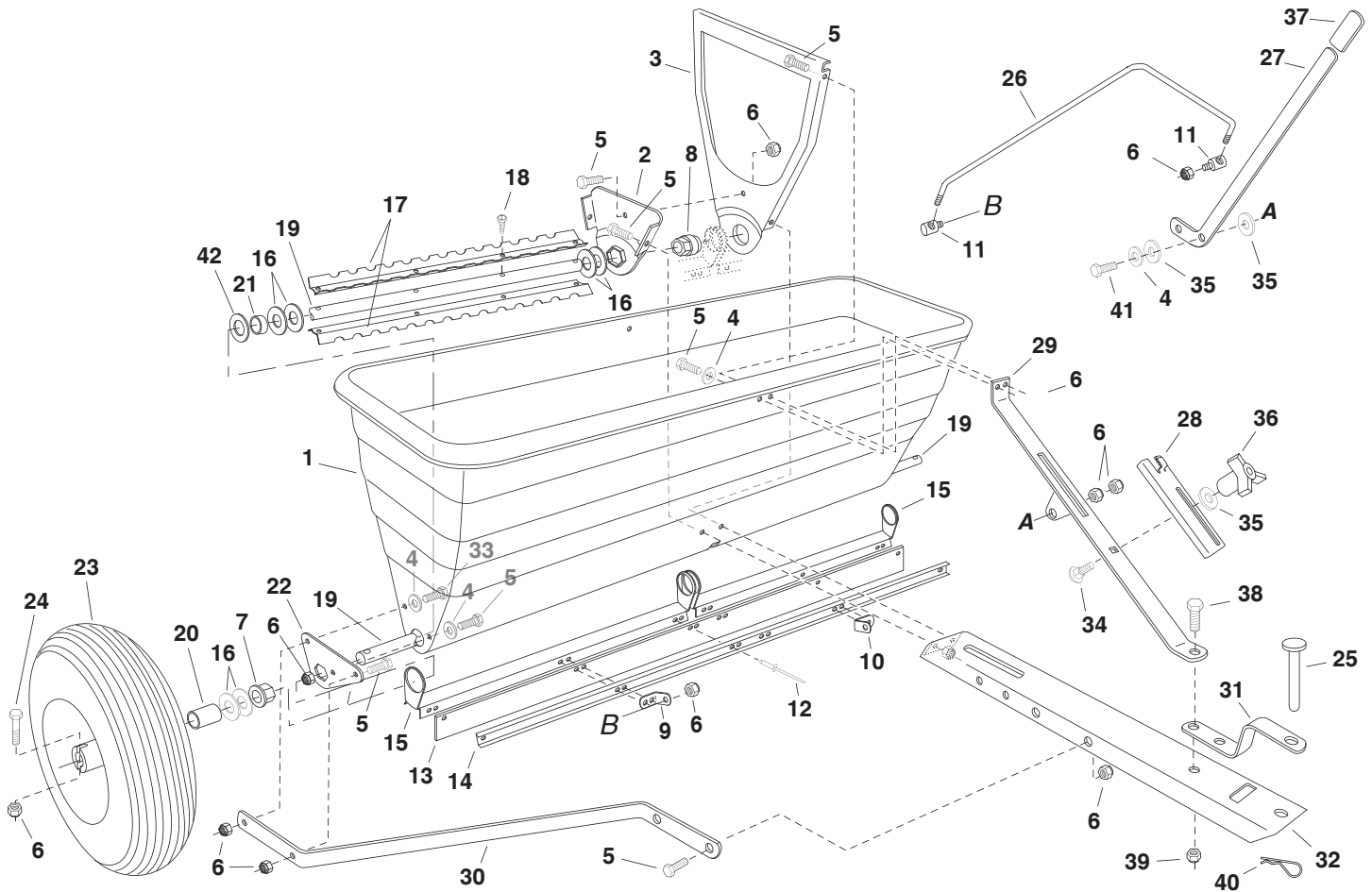


REPAIR PARTS FOR 175 LB. DROP SPREADER MODEL 45-02881



REF. NO.	PART NO.	QTY.	DESCRIPTION	REF. NO.	PART NO.	QTY.	DESCRIPTION
1	47451	1	Hopper	23	44457	2	Wheel
2	24536	1	Hopper Center Plate (Small)	24	1509-69	2	Bolt, Hex 1/4-20 x 1-3/4" Lg.
3	24535	1	Hopper Center Plate (Large)	25	47623	1	Hitch Pin, 3/8"
4	43088	9	Washer, 1/4"	26	47712	1	Rod, Flow Control
5	43866	16	Bolt, Hex 1/4-20 x 5/8"	27	24660	1	Arm, Flow Control
6	47189	24	Nut, Nylock 1/4-20 Thd.	28	24542	1	Gauge, Flow Control
7	741-0245	2	Bearing, Flange	29	63850	1	Brace Assembly, Hopper
8	47484	1	Bearing, Hex Flange	30	24532	2	Brace, Tongue
9	24538	1	Bracket, Feed Plate (RH)	31	23014	1	Hitch Bracket
10	24539	1	Bracket, Feed Plate (LH)	32	24531	1	Tongue
11	47711	2	Ferrule	33	43012	2	Bolt, Hex 1/4-20 x 3/4"
12	728-3001	10	Pop Rivet	34	44950	1	Bolt, Carriage 1/4-20 x 3/4" Lg.
13	47459	1	Skirt, 48"	35	1543-69	3	Washer, Nylon
14	47508	1	Retainer, Skirt	36	43849	1	Knob, Plastic 1/4-20 Thd.
15	24537	2	Flow Plate	37	43848	1	Grip, Plastic
16	43009	12	Washer	38	43001	1	Bolt, Hex 3/8-16 x 1" Lg.
17	47259	4	Agitator Blade	39	HA21362	1	Nut, Nylock 3/8-16 Thd.
18	47476	16	Screw, #8-32 x 3/8" Lg.	40	43343	1	Hair Cotter Pin, 1/8"
19	24540	2	Axle	41	1509-90	1	Bolt, Hex 1/4-20 x 1-1/4" Lg.
20	46497	2	Spacer, Tube 1" OD x 1.2" Lg.	42	43601	2	Washer, 1" ID x .06" Thick
21	47458	2	Spacer, 1.25" OD x .330" Lg.		47717	1	Owners Manual
22	24534	2	Plate, Bearing				